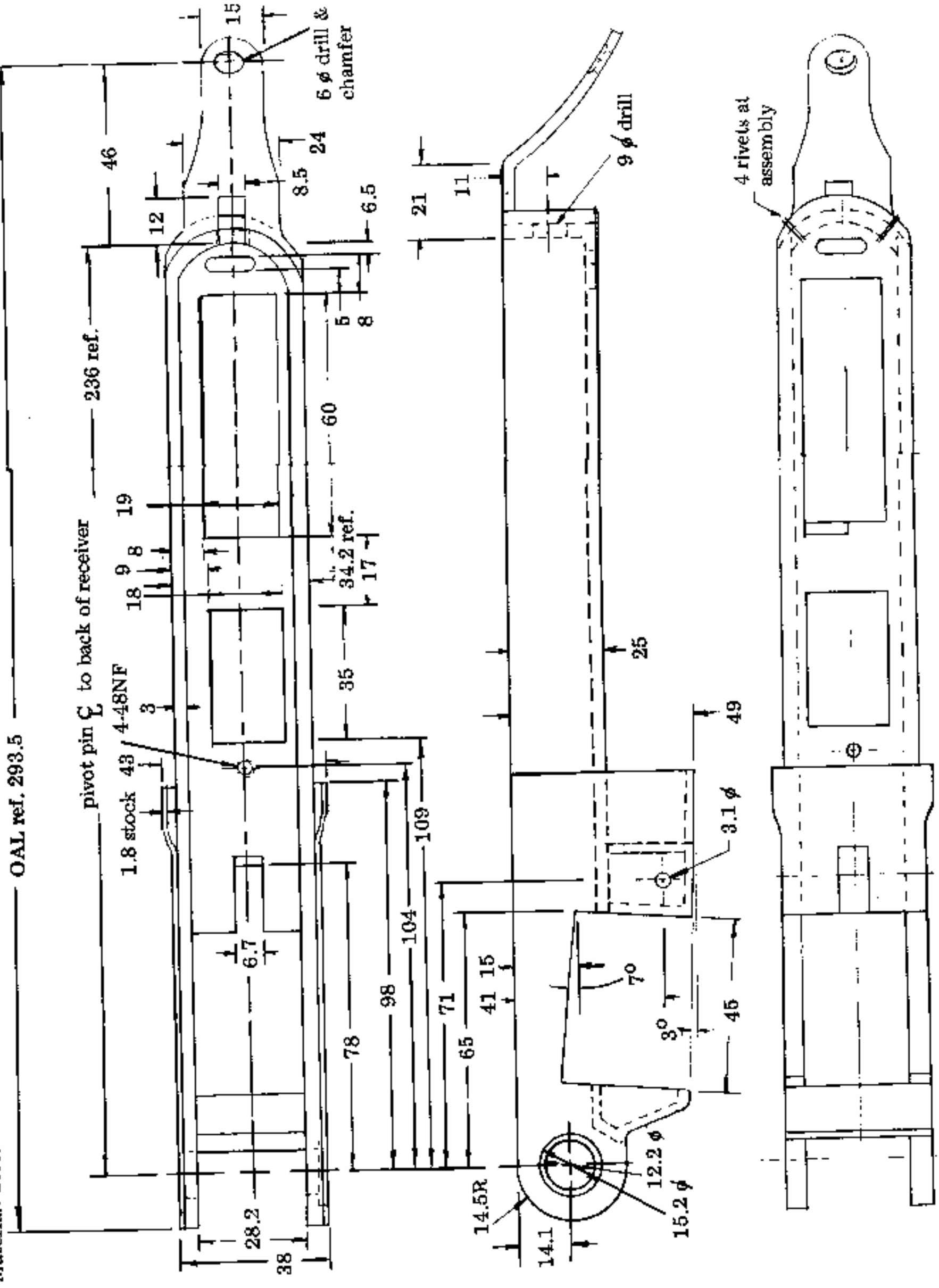
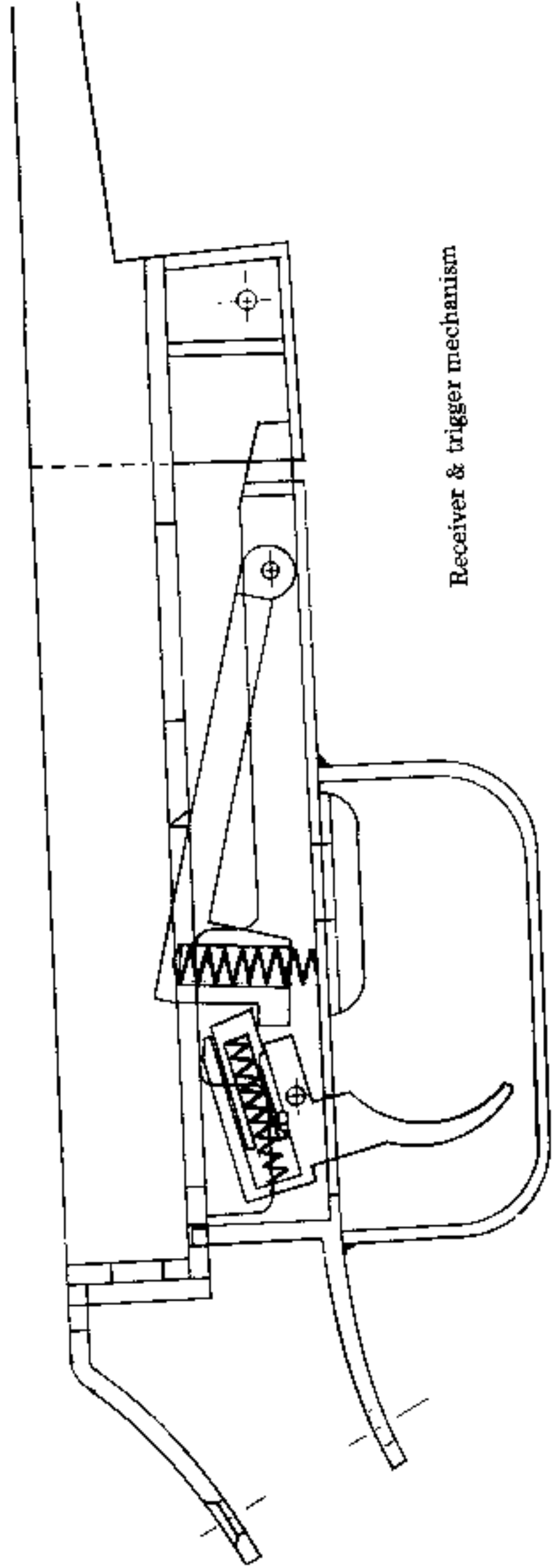
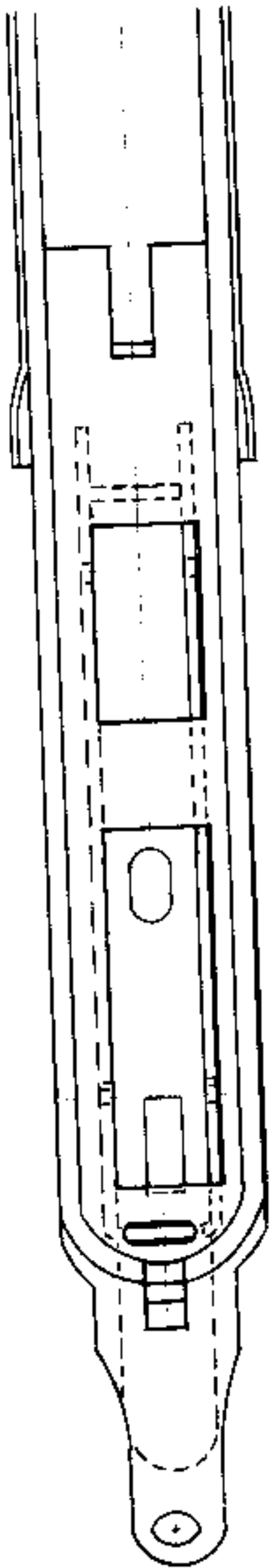


Receiver

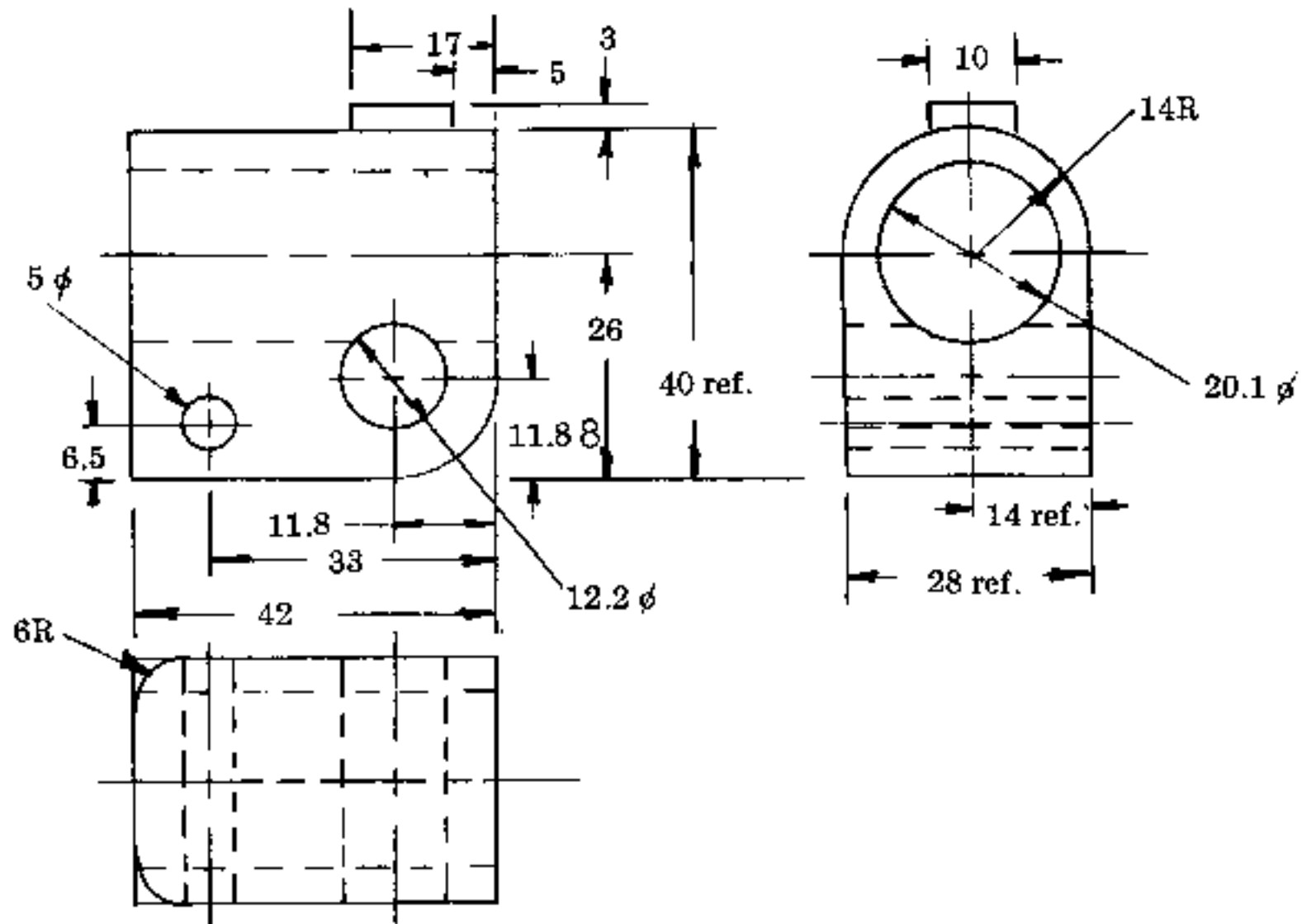
Material: Steel



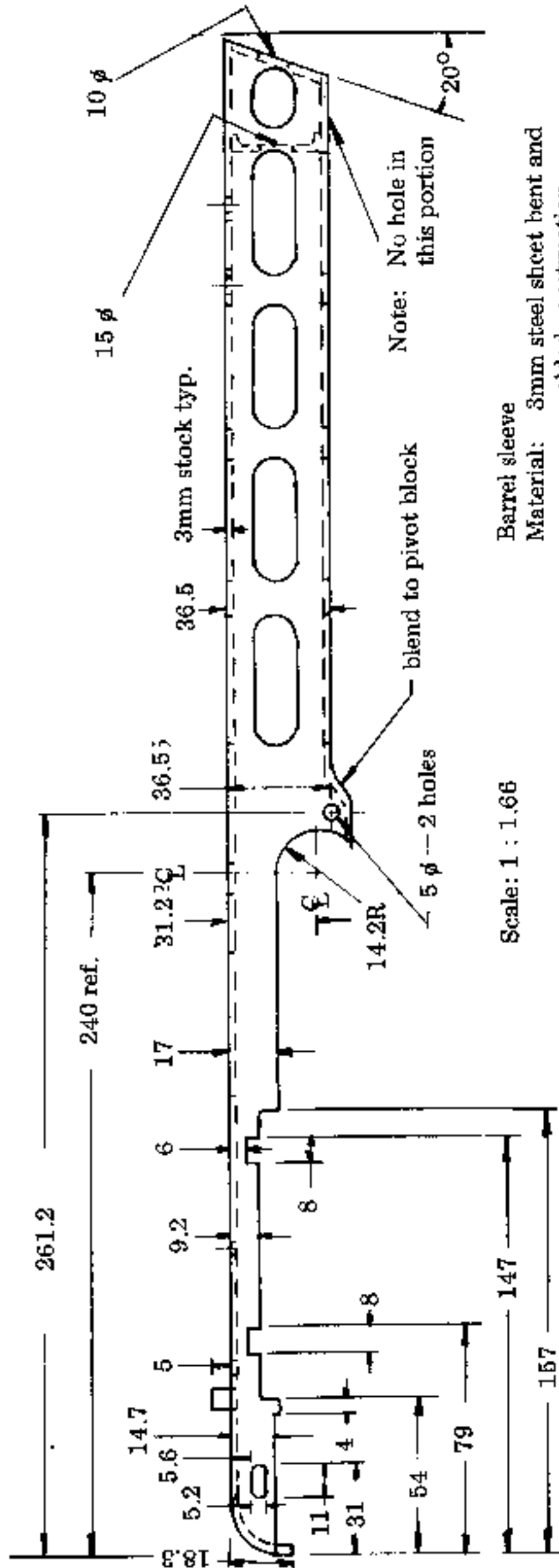
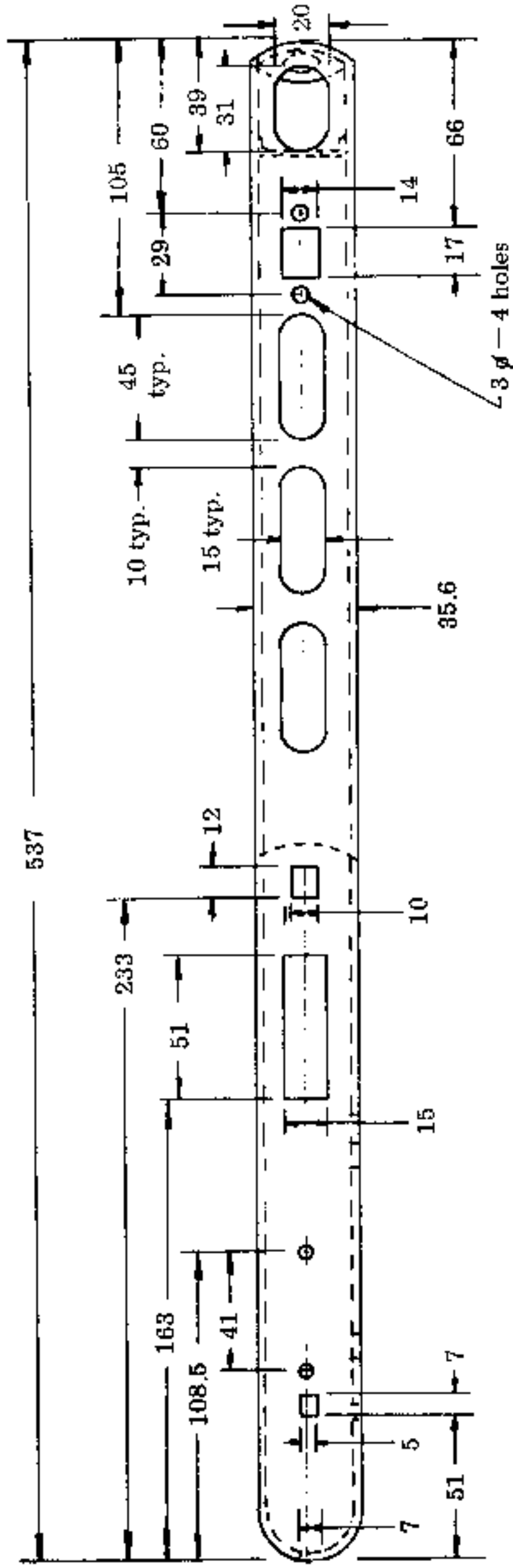


Receiver & trigger mechanism

Pivot block  
Material: steel  
Scale: 1 : 1

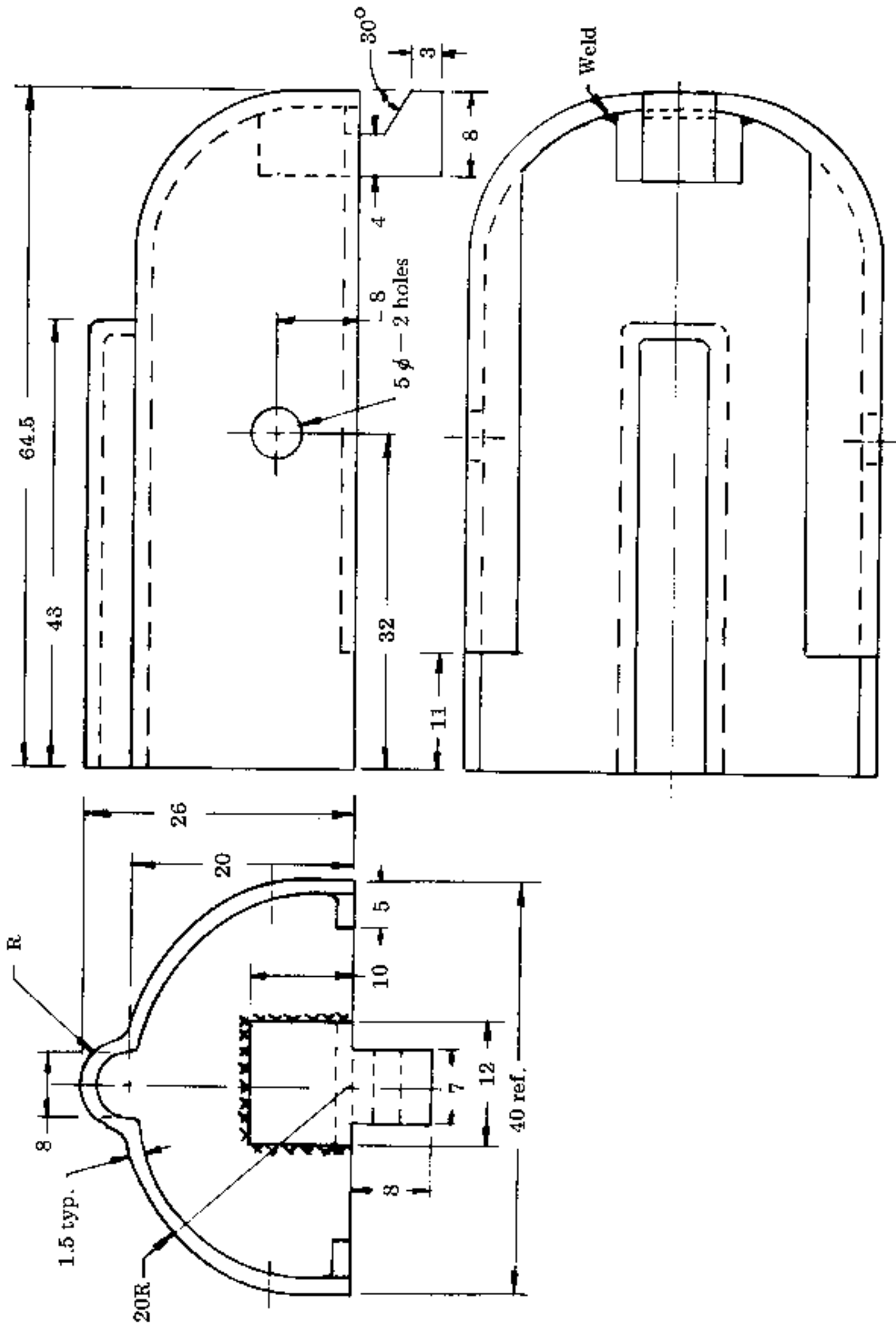


Barrel sleeve rivet  
Material: steel  
Scale: 1 : 1



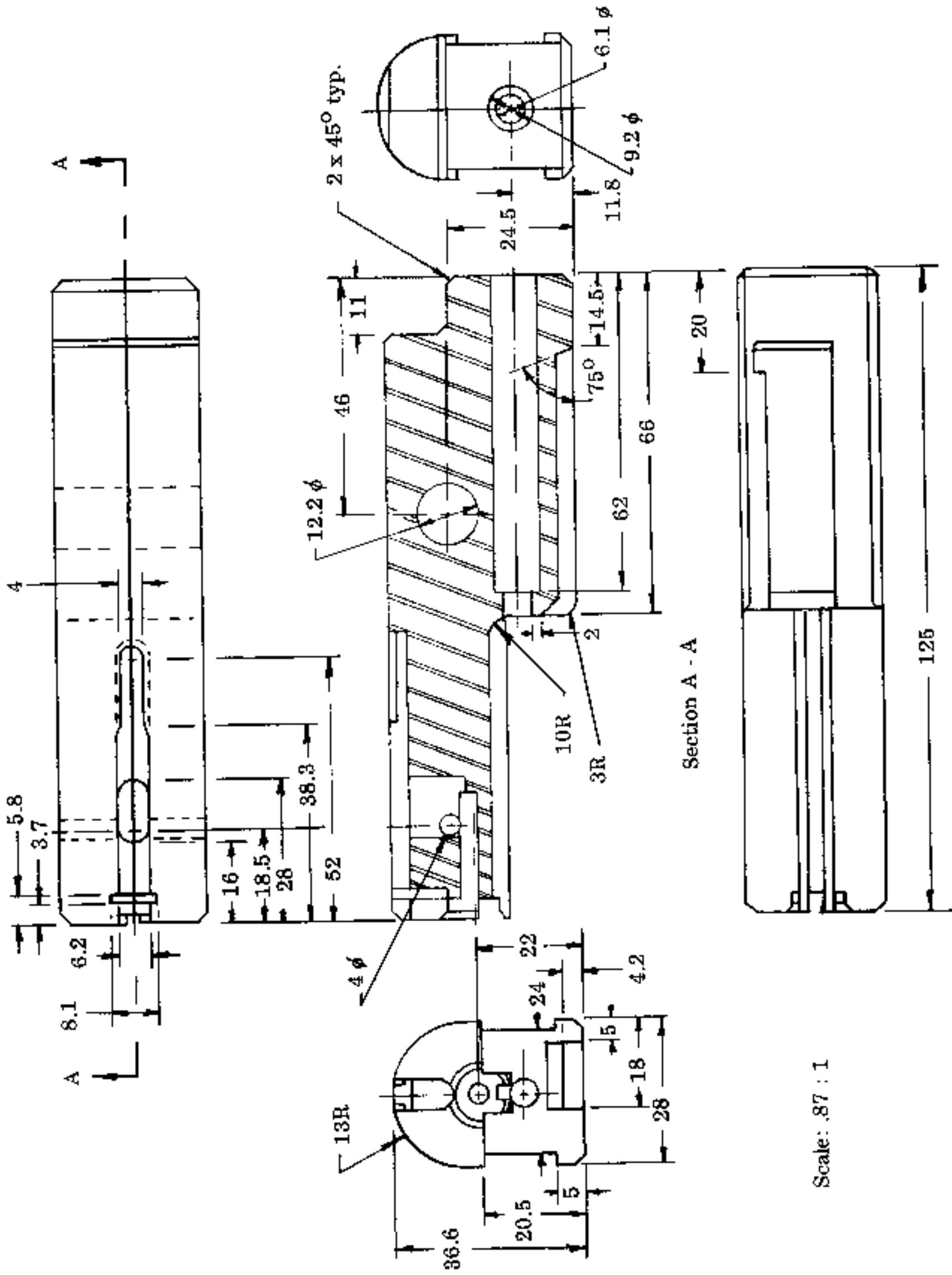
Barrel sleeve  
 Material: 3mm steel sheet bent and  
 welded construction

Scale: 1 : 1.66



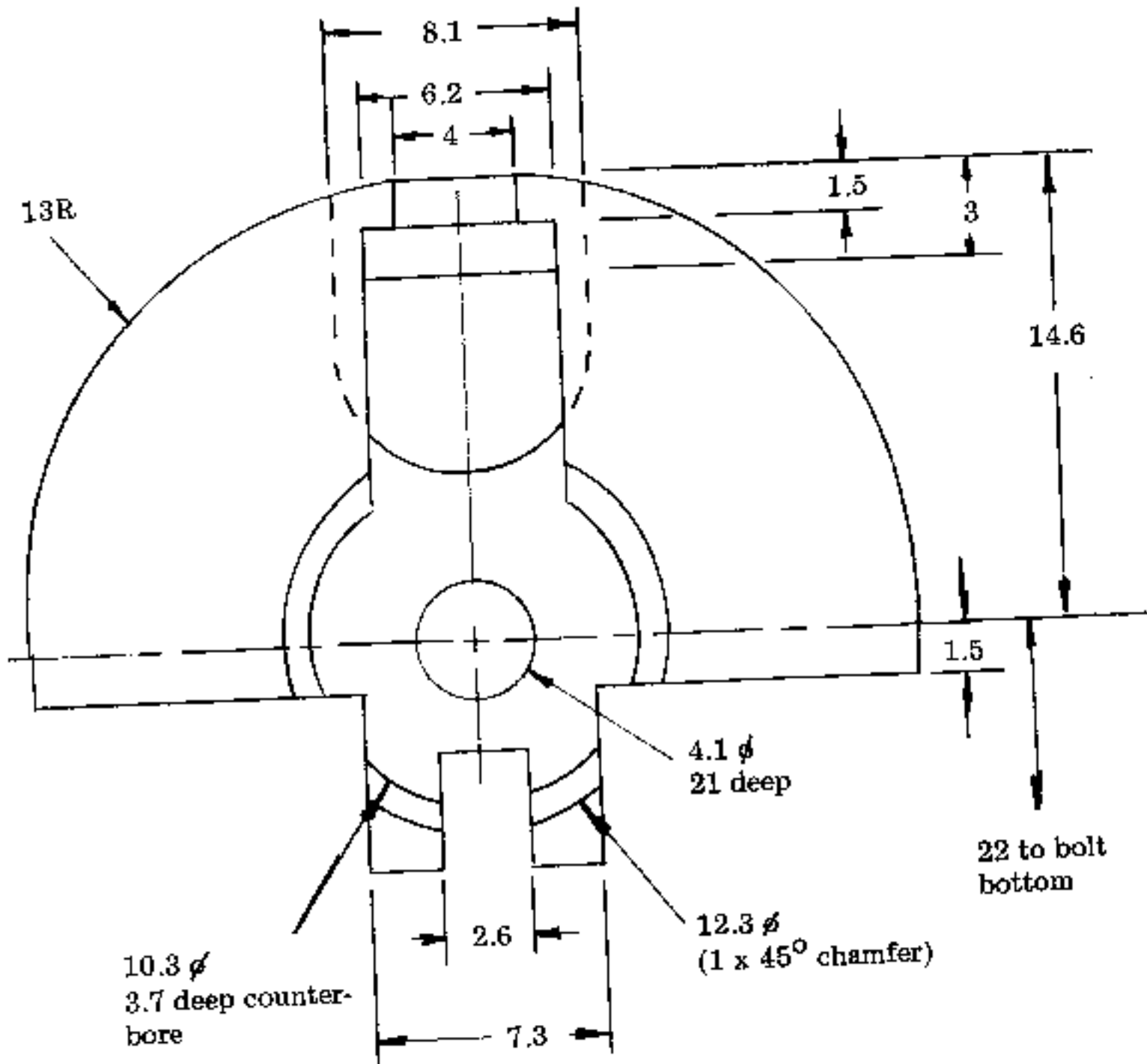
Receiver catch  
 Material: steel  
 Scale: 1.74 : 1

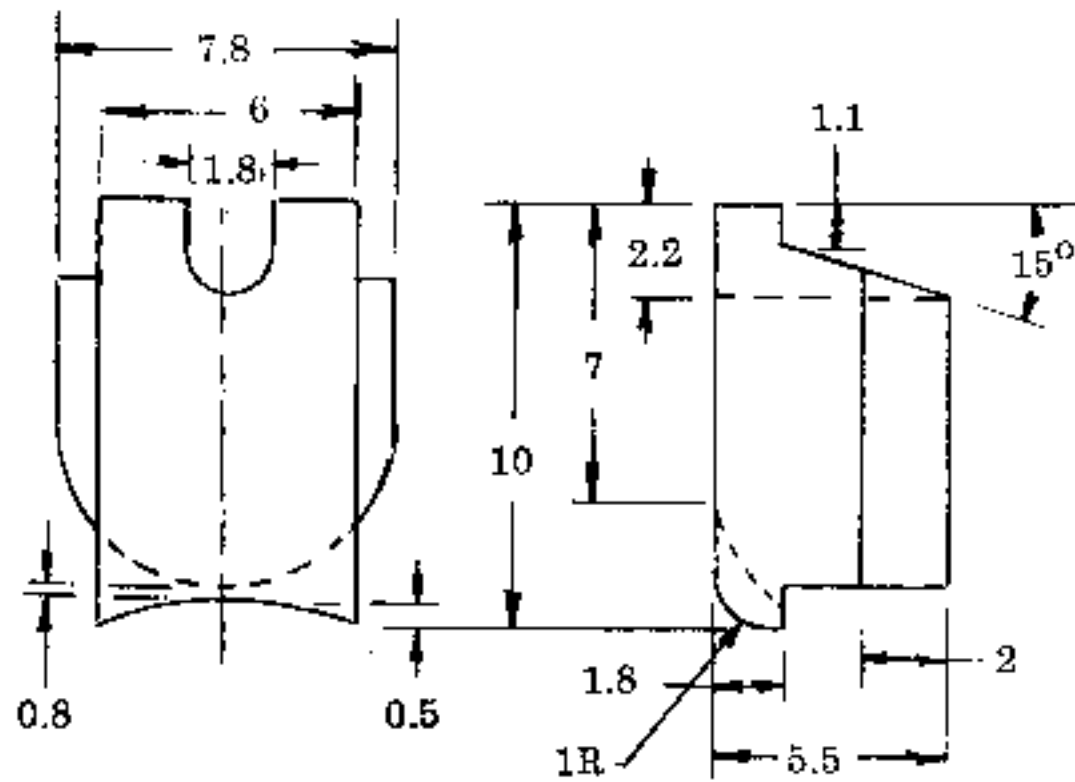
Bolt  
Material: steel



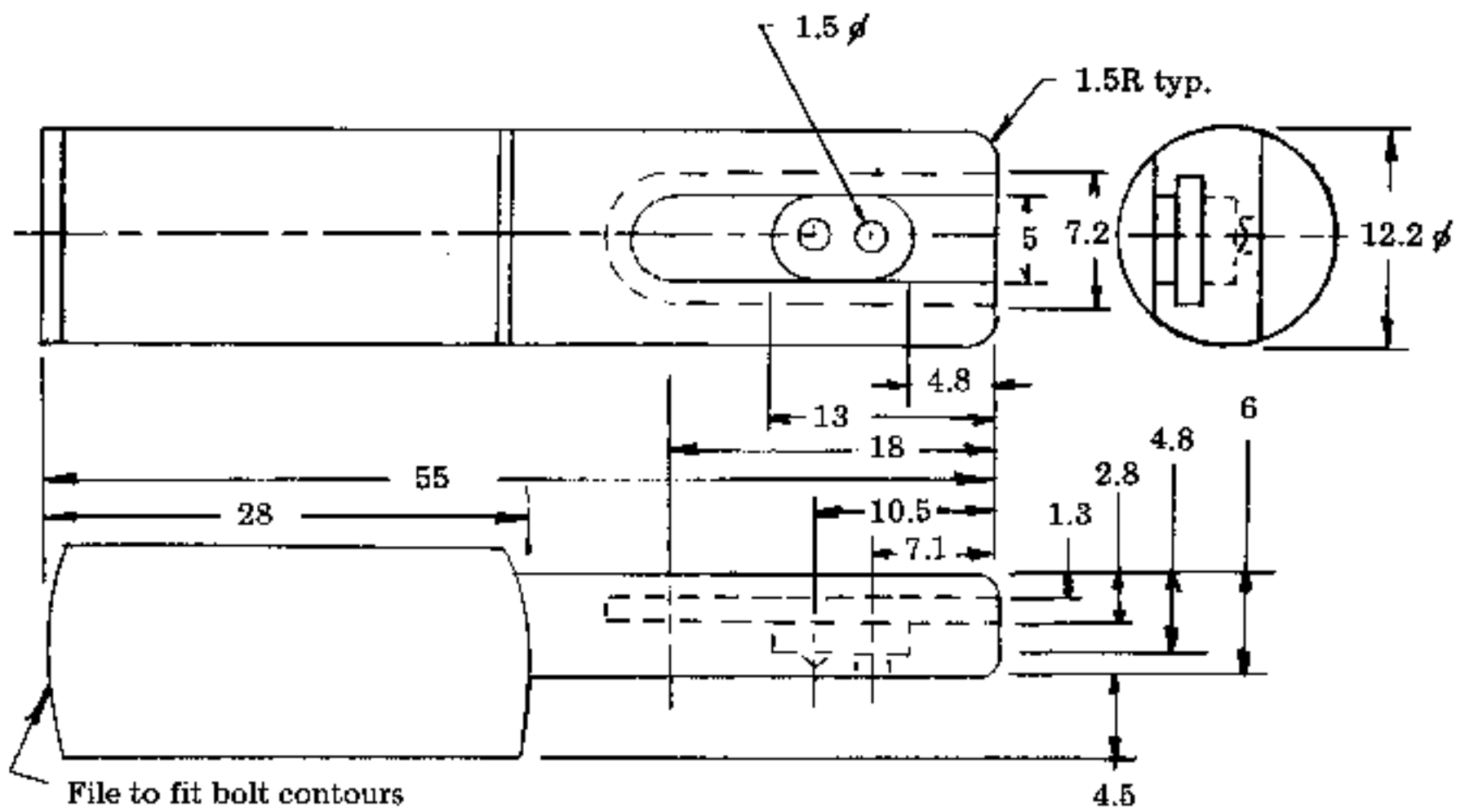
Scale: .87 : 1

Bolt face detail



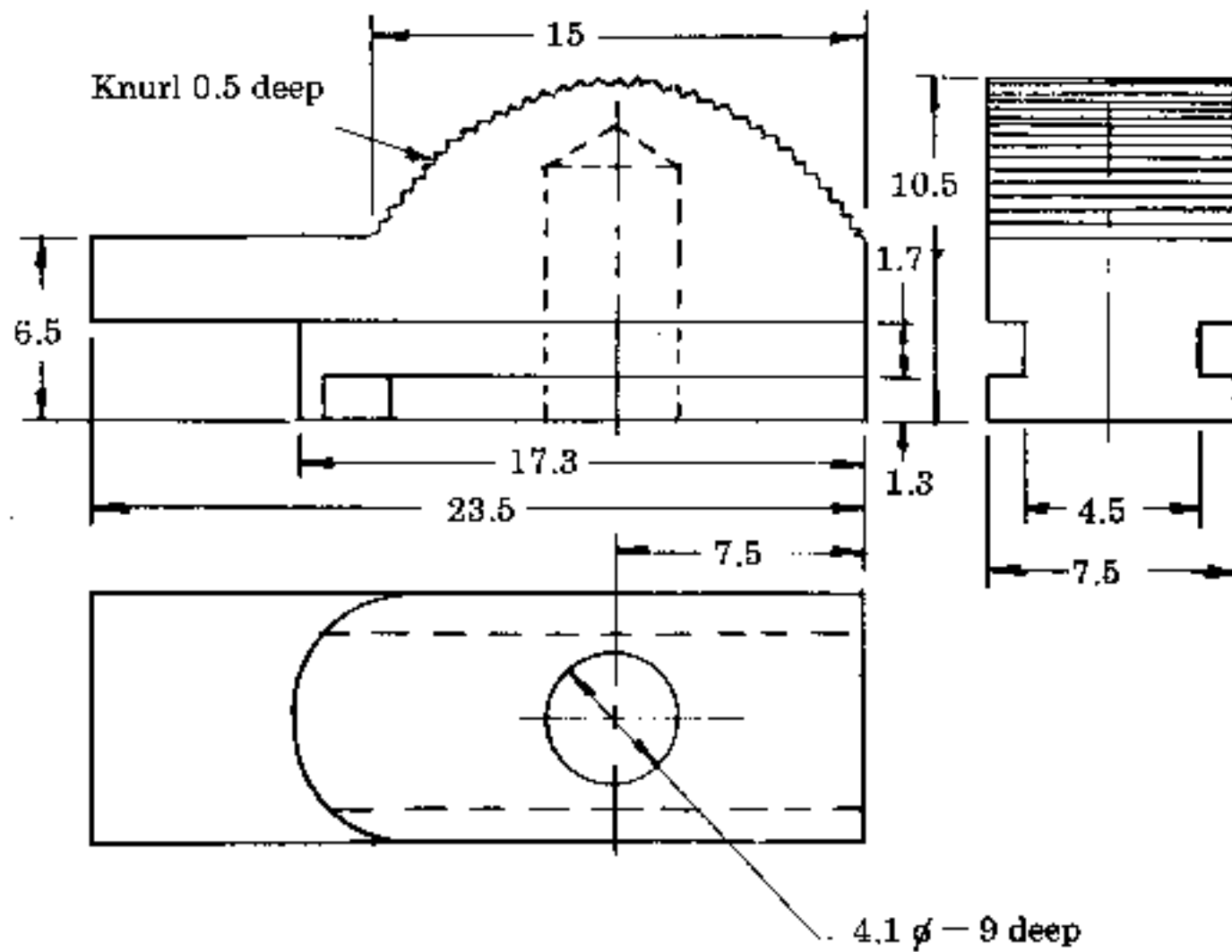


Extractor  
 Material: 4140 steel  
 Rc 52-55  
 Scale: 4 : 1

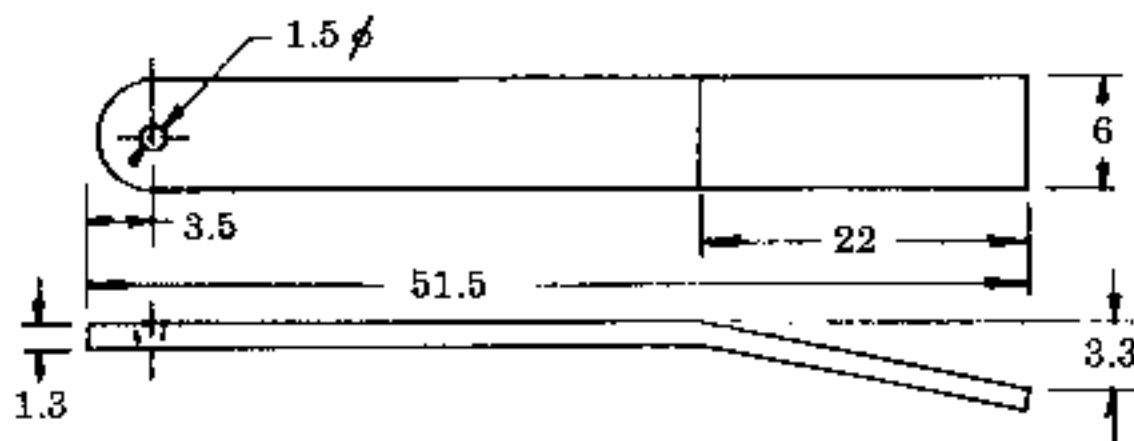


Bolt handle  
 Material: steel  
 Scale: 2 : 1

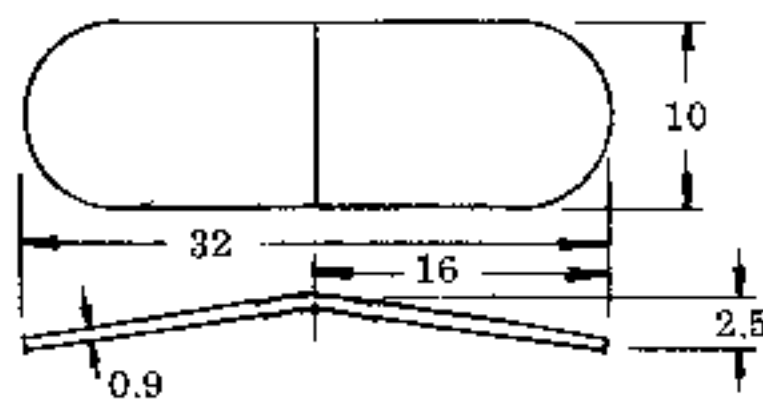




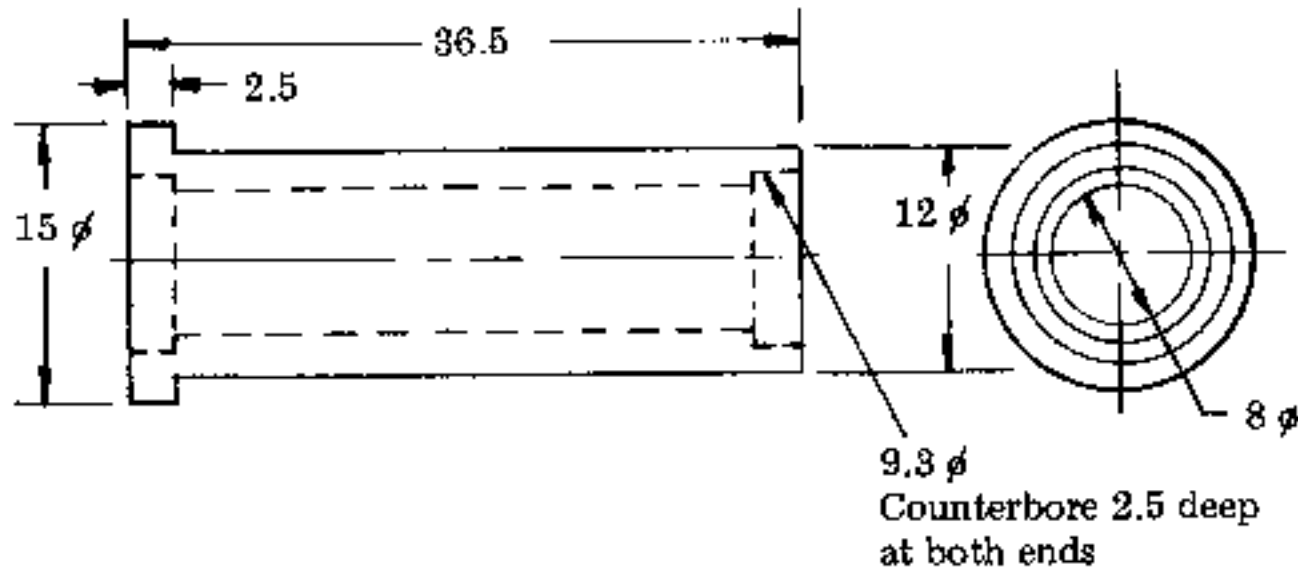
Safety  
Material: Steel  
Scale: 3.48 : 1



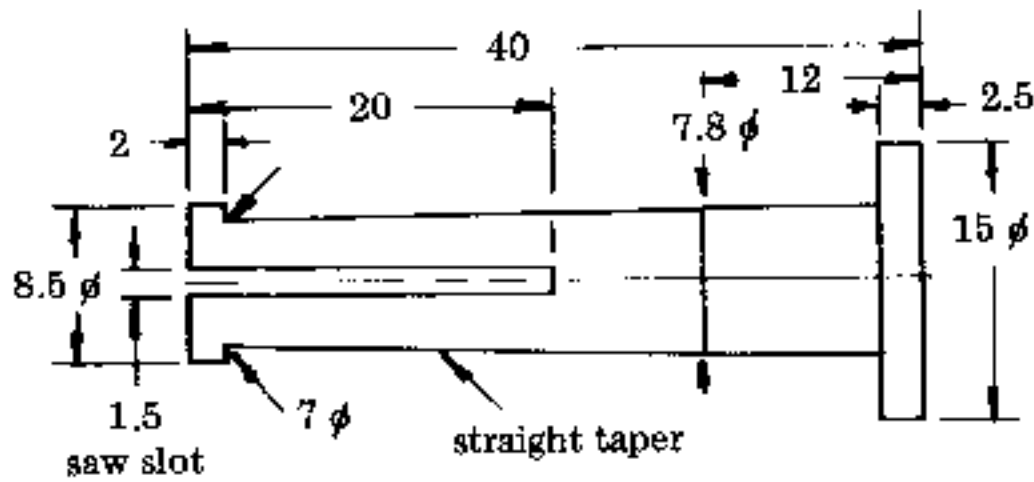
Extractor spring  
Material: spring stock  
Scale: 1.74 : 1



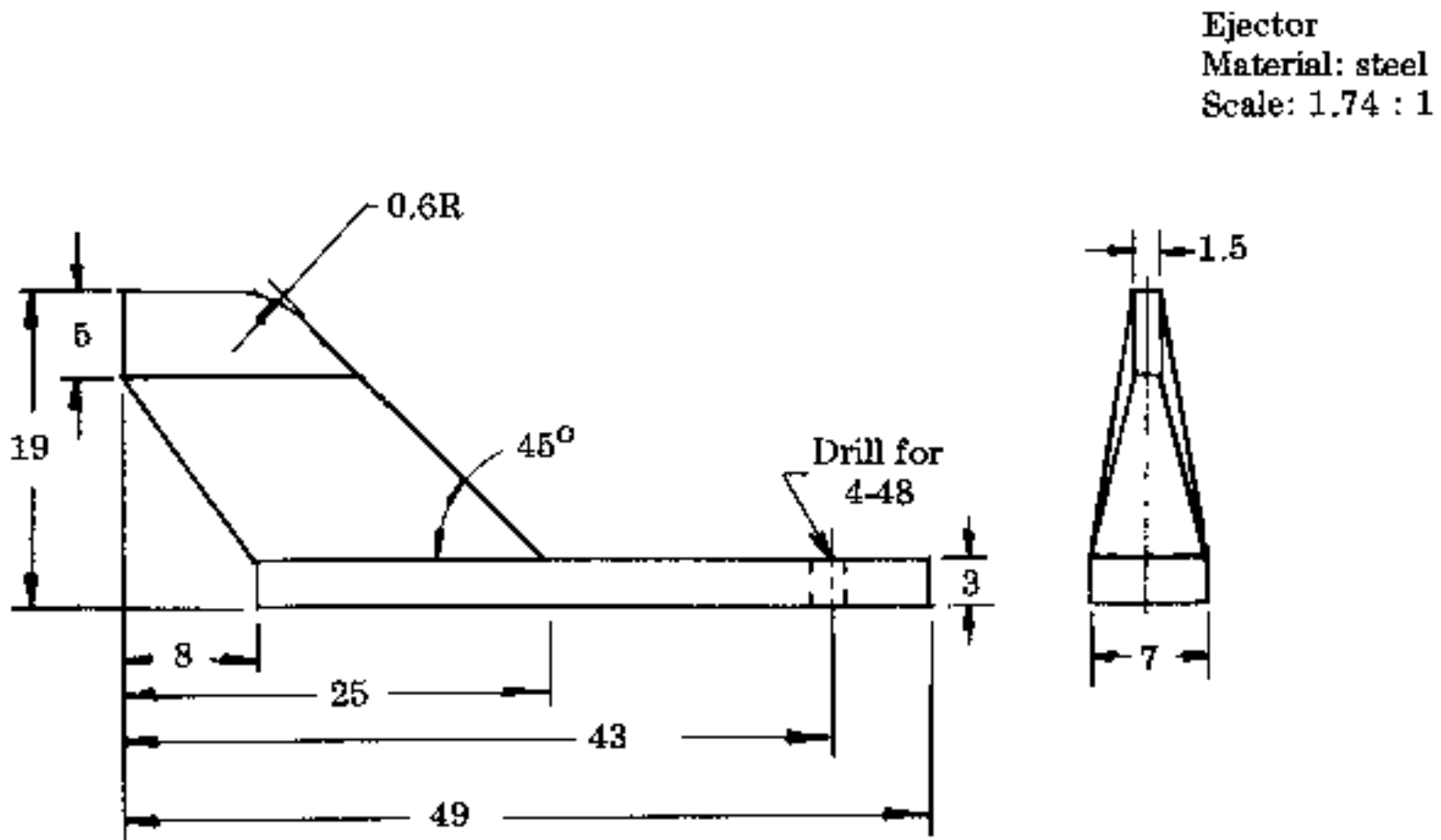
Rear sight spring  
Material: spring stock  
Scale: 1.74 : 1



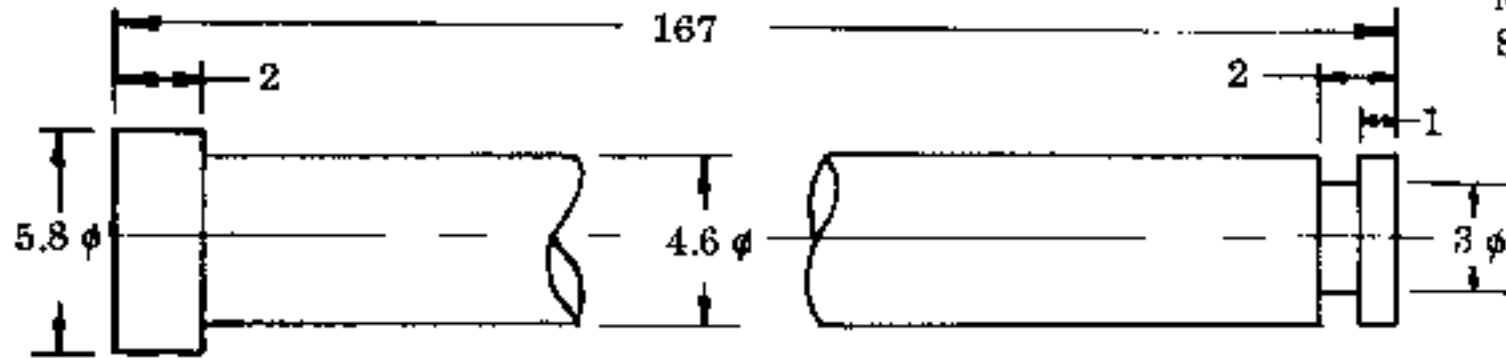
Barrel pivot pin  
Material: steel  
Scale: 1.74 : 1



Barrel pivot pin lock  
Material: steel  
Scale: 1.74 : 1

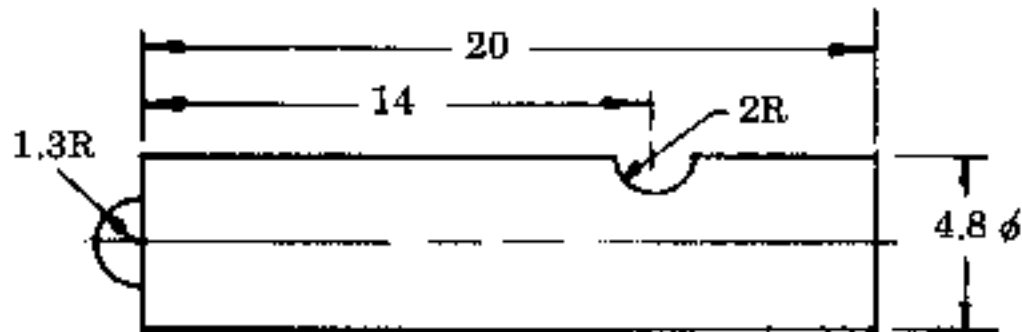
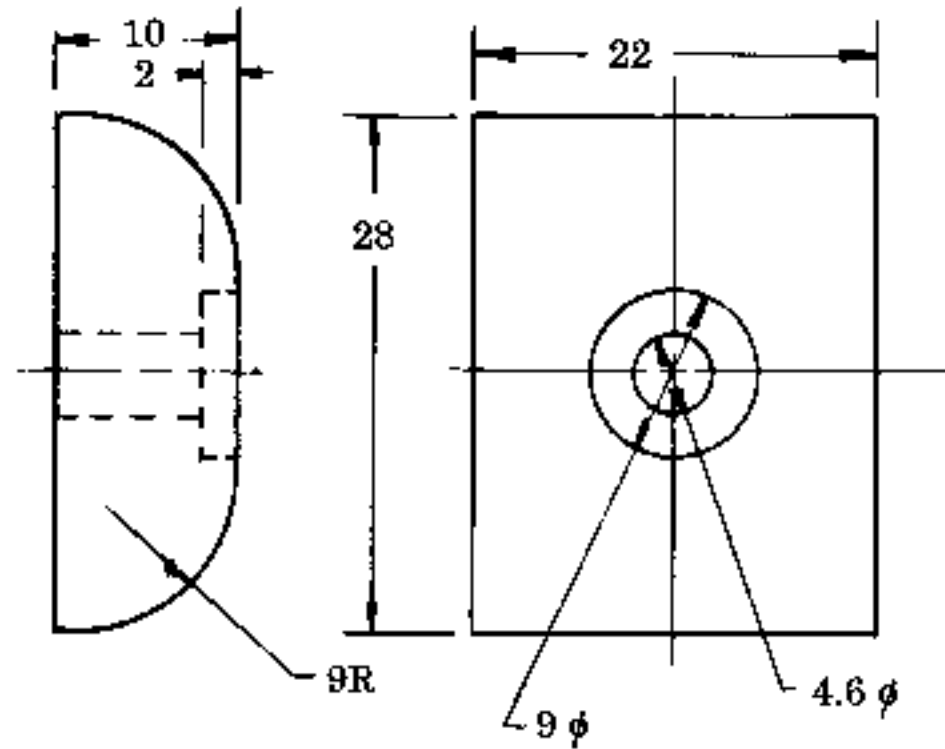


Ejector  
Material: steel  
Scale: 1.74 : 1

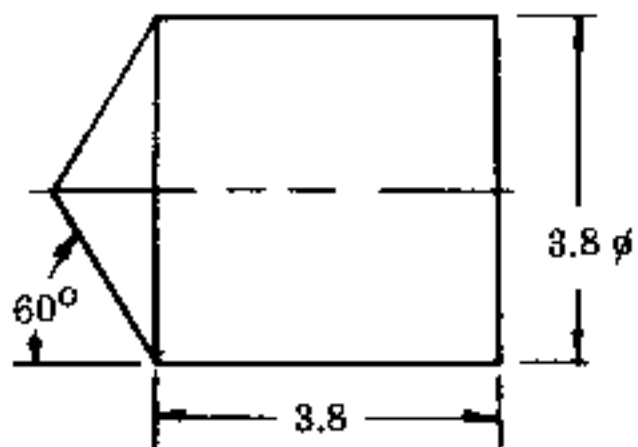


Main spring guide  
 Material: steel  
 Scale: 3.48 : 1

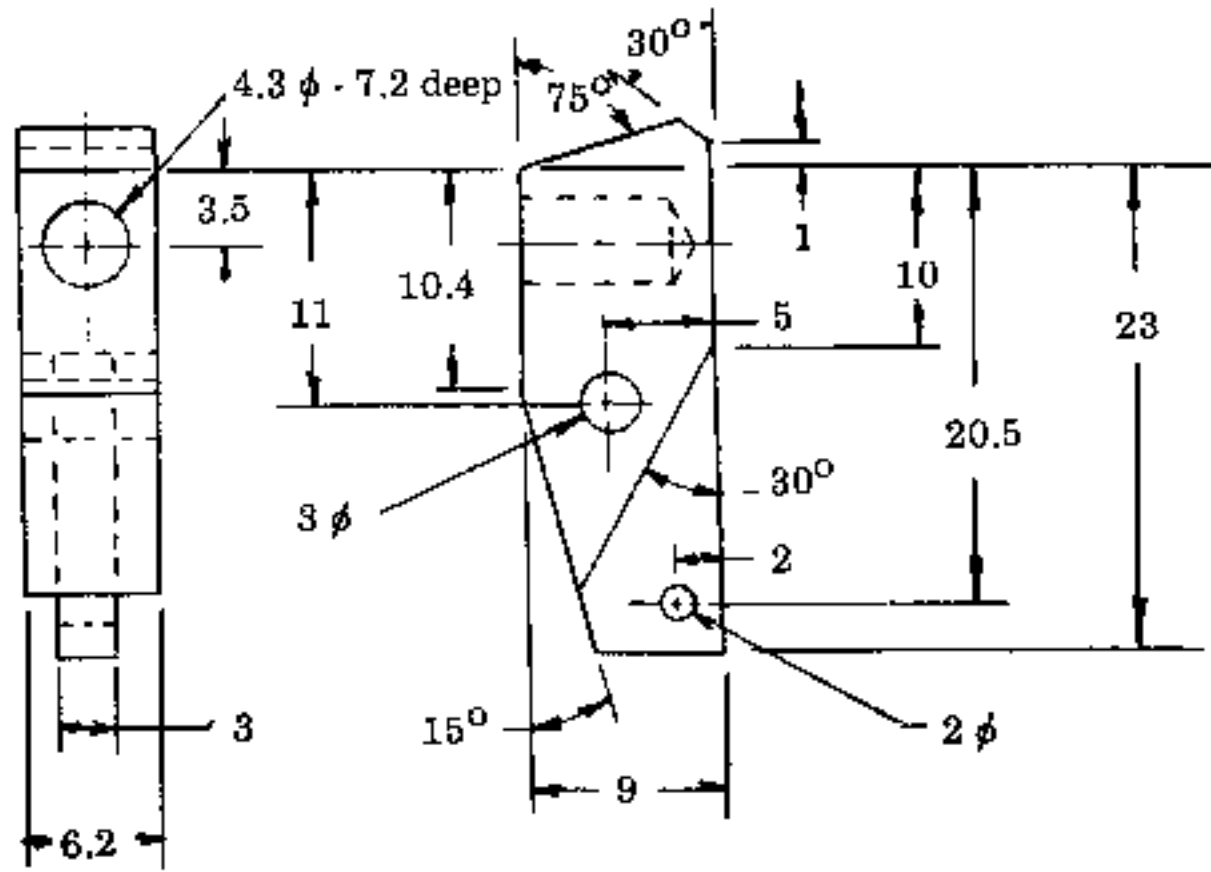
Bolt buffer  
 Material: plastic  
 Scale: 1.74 : 1



Firing pin  
 Material: 4140 steel  
 Rc 55-60  
 Scale: 3.48 : 1



Safety plunger  
 Material: 4140 steel  
 Rc 55-60  
 Scale: 8.7 : 1



Magazine latch  
 Material: steel  
 Rc 50-55  
 Scale: 2:1

